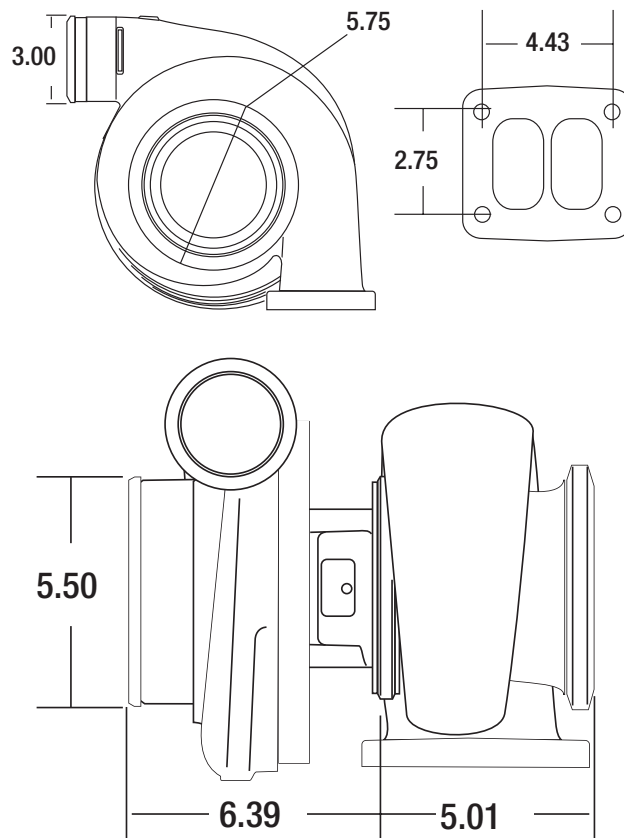


S400SX4

750 - 1250 HP Turbo



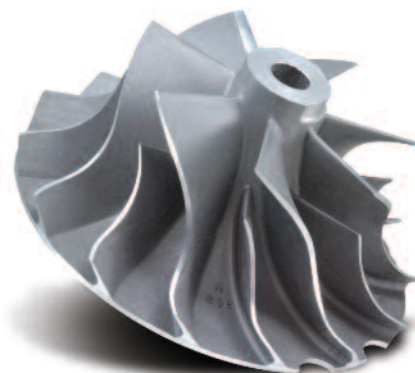
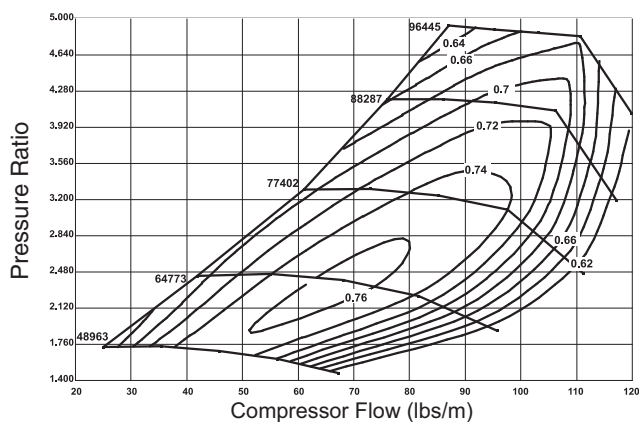
Turbo Frame Dimensions



Turbo Features

- Twin hydrodynamic journal bearings
- Extended tip technology compressor wheel
- Twin scroll turbine housing
- Adjustable compressor and turbine housing orientation
- Compressor cover recirculation grooves

Compressor Map



Extended Tip Technology

Turbo Part Number	Comp. Wheel O.D.	Comp. Wheel Inducer Dia.	Comp. Wheel Inducer Dia. (mm)	Turbine Wheel O.D.	Turbine Wheel O.D. (mm)	Turbine Wheel Exducer	Turbine Wheel Exducer (mm)	Turbine A/R	Cartridge Assembly	Service Kit
177287	4.32	3.16	80	3.77	96	3.47	88	1.32	176654	176391