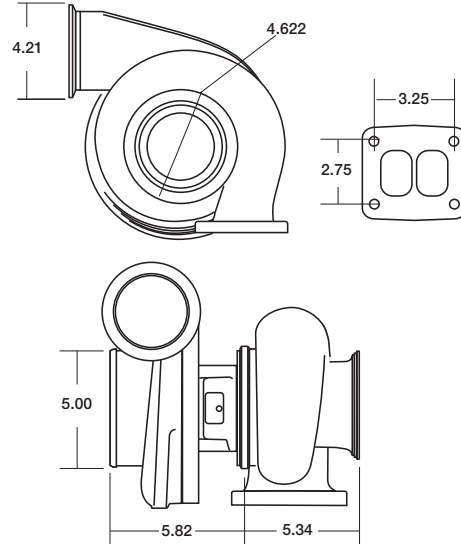


S400SX3

500 - 1050 HP Turbo



Turbo Frame Dimensions



Turbo Features

- Twin hydrodynamic journal bearings
- Extended tip technology compressor wheel
- Twin scroll turbine housing
- Adjustable compressor and turbine housing orientation
- Standard turbine inlet and outlet allows for drop-in to existing turbocharged applications
- Compressor cover recirculation grooves



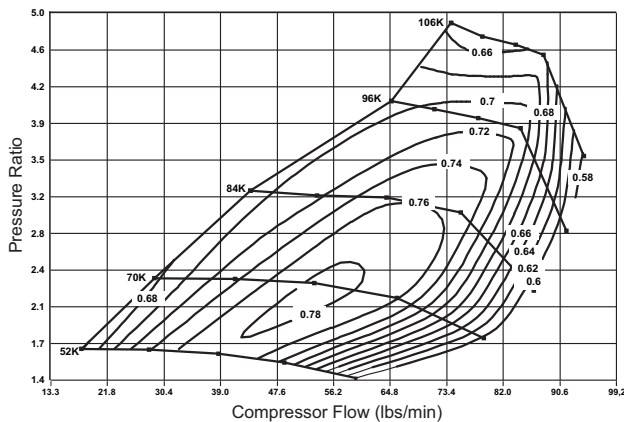
Extended Tip Technology

Turbine Housing

Part Number	A/R
177102	0.90
177103	1.00
177104	1.10
177105	1.25

Compressor Map

(Applicable to part number 177248)



Compressor Cover

Part Number	Notes
177212	(177248 Only)
177352	w/Attenuator (177248 Only)
177354	w/Attenuator (177101 Only)

Turbo Part Number	Comp. Wheel O.D.	Comp. Wheel Inducer Dia.	Comp. Wheel Inducer Dia. (mm)	Turbine Wheel O.D.	Turbine Wheel O.D.	Turbine Wheel Exducer	Turbine Wheel Exducer (mm)	Turbine A/R	Cartridge Assembly	Service Kit
177248	3.94	2.80	71	3.29	83	2.93	74	1.10	177249	318396
177101	3.94	2.94	75	3.29	83	2.93	74	1.10	176807	318396